

- - - MOUNTAIN BIKE PRODUCTS ORDER FORM - - -

Customer Name:

Billing Address:

Shipping Address:

Fiscal Code / VAT Number:

Phone Number:

Email: @

ONLY FOR ITALIAN COMPANY  
 PEC: @  
 SDI:

Payment Method: in advance only with PayPal / Credit Card

**PLEASE NOTE: production will start once the Administration Dept. have received money accreditation.**

- - - TECH DATAS - - -

SHOCK SIZE:  (length / stroke) SHOCK TYPE:  ARMA V3 -  STORIA V3

SHOCK LAYOUT:  Eye To Eye -  Trunnion

Bike Brand, Model and Year:

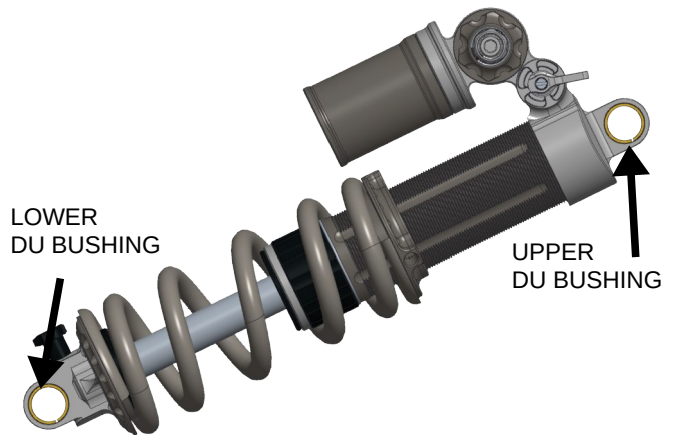
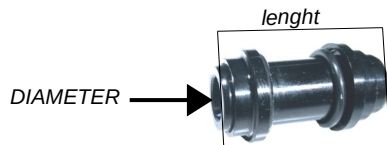
Bike size:  Rider Weight:  Kg Rear travel:

Wheels:  26" -  27,5" -  29" Pedals:  FLAT -  CLIP

Used a coil shock before? What kind of spring rate do you used?:  lbs/in

SC Upper **DU** Bushing  Yes please -  No thanks  
 EY Lower **DU** Bushing  Yes please -  No thanks

Hardware Kit:  Yes please -  No thanks  
 Upper Hardware length  mm  
 Lower Hardware length  mm  
 Screw Diameter  mm  
 Screw Diameter  mm



NOTE:

Once filled, please send back to [commerciale@extremeshox.com](mailto:commerciale@extremeshox.com)

